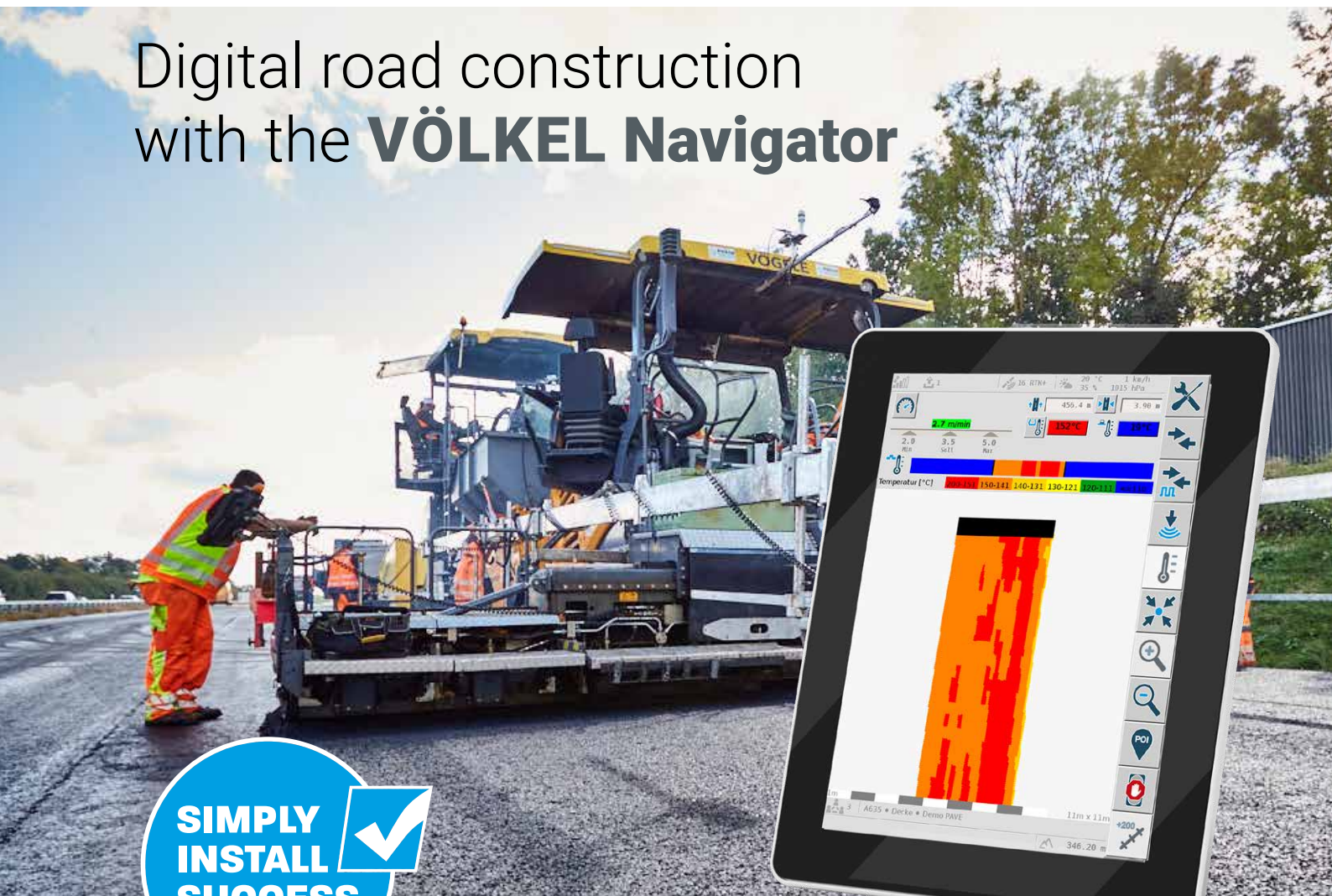


VÖLKEL

MIKROELEKTRONIK

PAVE Navigator

Digital road construction
with the **VÖLKEL Navigator**



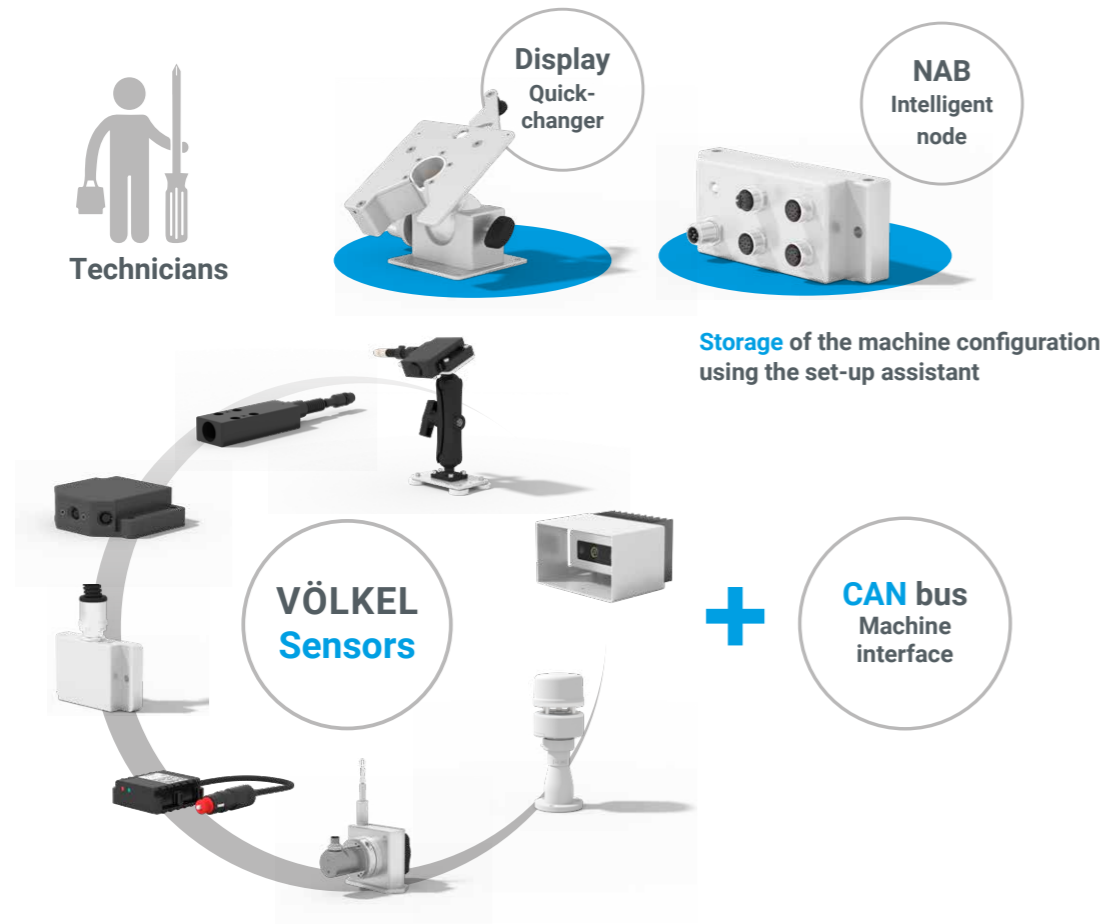
**SIMPLY
INSTALL
SUCCESS**

Flexible digitalisation of your machine park

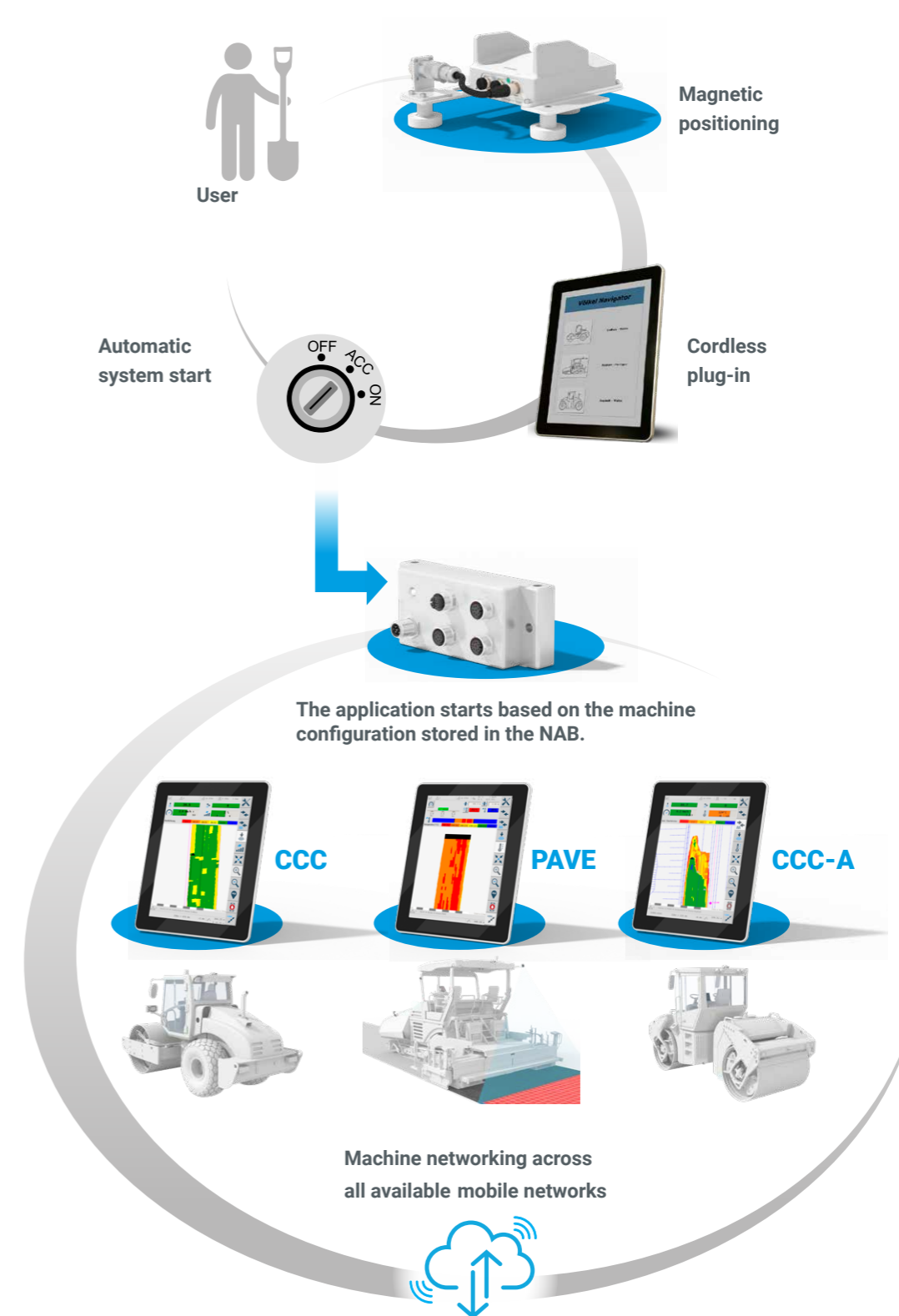
One system for all machines



1. Manufacturer-independent pre-equipping of the machine park



3. Easy plug-and-play at the construction site



2. ONE navigator set can be used for ALL machine types



Clear separation of the pre-equipment and navigator set

Navigator set

The Navigator display can be easily installed and removed on pre-equipped machines using a quick-change setup with just a few simple steps. The GNSS RTK receiver with an LTE modem is precisely and quickly positioned using powerful magnets.



- Navigator set**
- Navigator display
 - GNSS RTK receiver with LTE modem
 - Sturdy hard-shell case

Truck docking sensor



Display quick changer

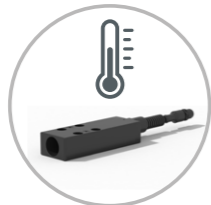
Can be flexibly positioned during installation



Temperature sensor Pro for asphalt falling current measurement [optional]



Asphalt temperature sensor Underground [optional]



Asphalt temperature sensor Pro Screw conveyor [optional]

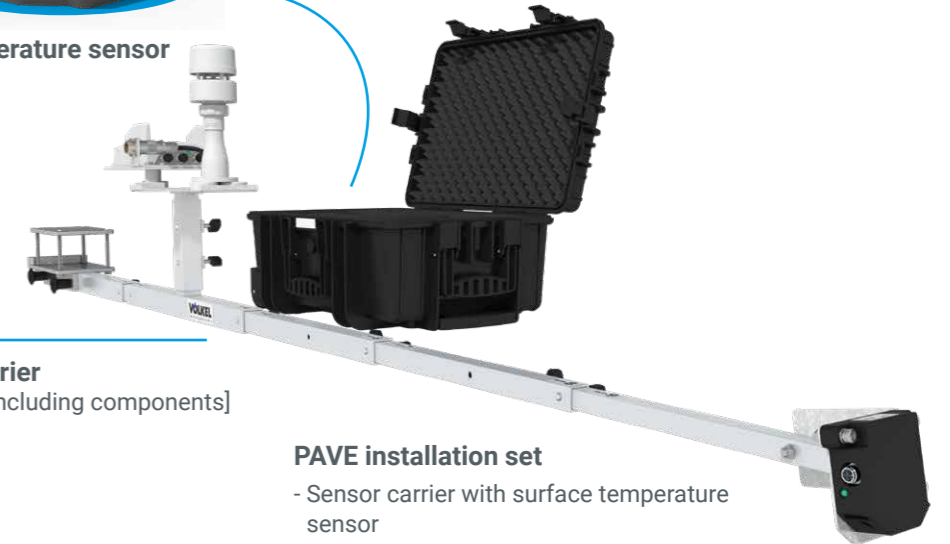


Weather station [optional]



Surface temperature sensor Asphalt

Sensor carrier [Assembly including components]



PAVE installation set

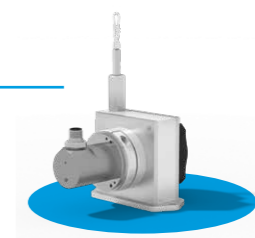
- Sensor carrier with surface temperature sensor
- Sturdy hard-shell case

Pre-equipment

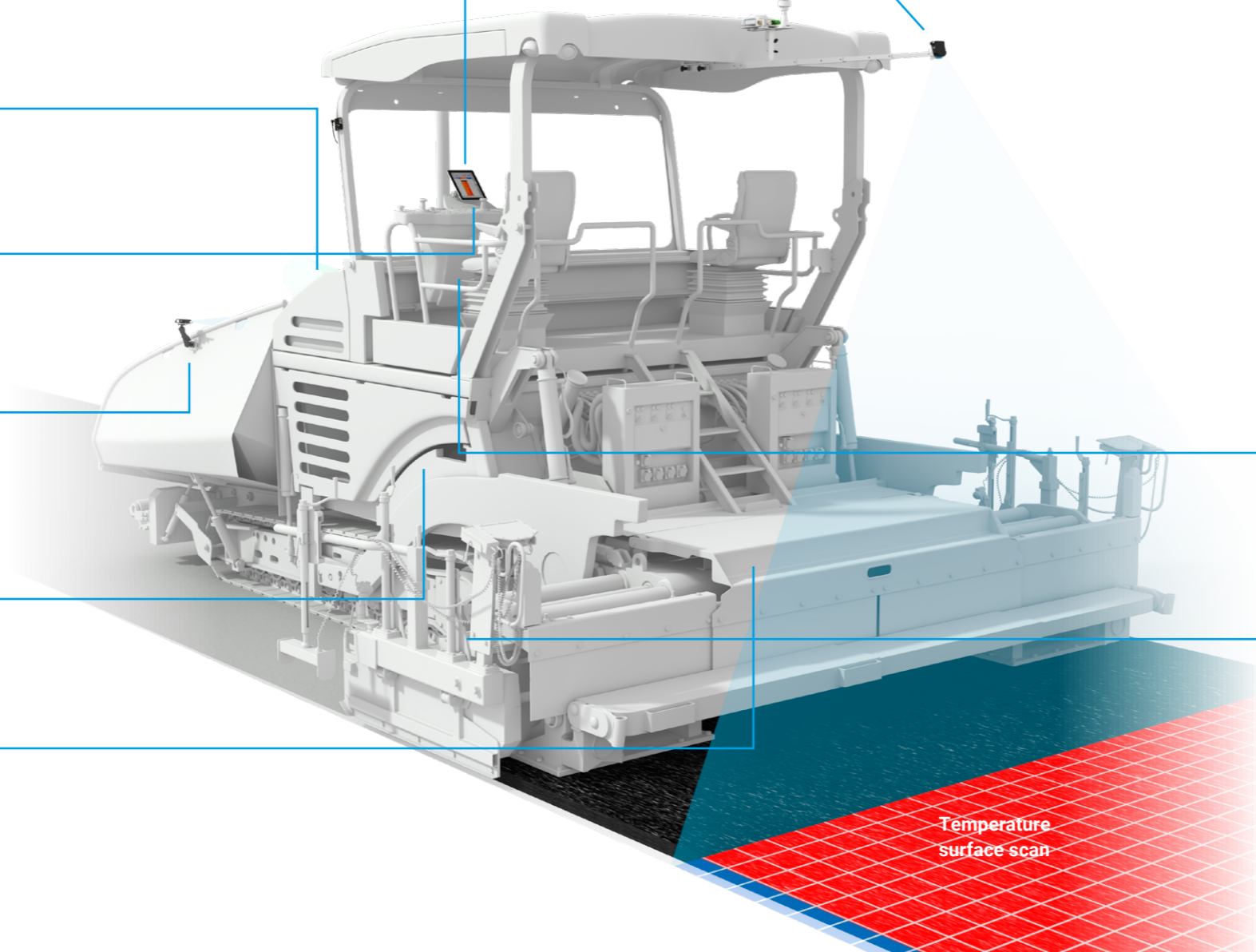
The pre-equipment includes all permanently installed components and can be mounted on any machine, regardless of the manufacturer. Machine-specific settings are stored in the intelligent node.



Intelligent node



Cable-pull sensor Width measurement screed [optional]



Temperature surface scan

Perfect interaction through networking



VÖLKEL cloud



Networking via mobile communication through neutral servers



Data access for responsible parties

Server API

To process control providers

CCC-A



LOGISTICS & PAVE



Data recording and visualisation of machine data for machine operators

CCC



PC software CompactDoc – All-In-One: Transparency, analysis, remote maintenance and documentation

The VÖLKEL cloud server and our universal PC software solution, CompactDoc, which is supplemented by the Navigator Webb app, is always at your fingertips:

Analysis and evaluation functions

- Statistics, measurement points, measurement value diagrams
- Comparison of paver and roller data
- Customisable reporting functions e.g. strip chart
- Export (CSV, KMZ)
- Documentation with detailed visualisations and analyses

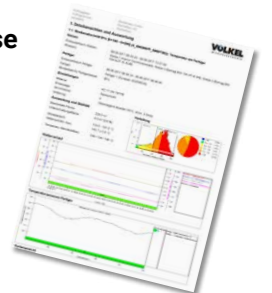
Administrative capabilities of the construction site

- Remote function on the navigators of the rollers and pavers
- Integration of CAD and alignment data
- Defining target and limit values
- Rights management

Automatic data synchronization

Unified program and database

- Soil compactor
- Paver and asphalt roller



VÖLKEL service

We are committed to providing **perfect customer service**. We strive to always present complex matters in a simple way to ensure your success.

- Consultation before, during, or after implementation
- On-site support at the construction site
- Training
- Assistance with pre-equipment installation on the machine.

We are here to help you with any specific requirements or general inquiries.

System explanation





VOLKEL
MIKROELEKTRONIK

Völkel Mikroelektronik GmbH

Otto-Hahn-Straße 30

48161 Münster

Germany

☎ +49 2534 9731-0

✉ info@voelkel.de



www.voelkel.de